

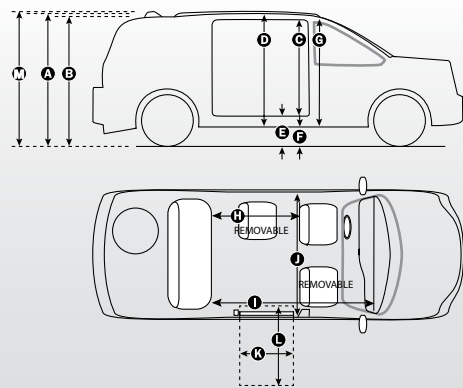
New! Savaria® Side Entry for Chrysler Pacifica

- **New!** Trunk-sized removable caregiver seat
- **New!** Foot-operated bases on all removable seats
- Flip-forward third row bench with footrest
- Stainless steel floor for extended life
- Durable, easy-clean SavariaFlex flooring
- 29.5" power ramp
- Deep footstep on running boards for stable entry and exit
- Lowered floor sloped from front firewall gives extra foot space to drivers in wheelchairs
- Raised floor panel on front passenger seat
- Handy LED lighting for visibility
- OEM spare tire availability (if equipped)
- Optional kneeling system



**Flexibility,
Convenience
and Durability**

SPECIFICATIONS



Flexible seating configurations include a removable behind-driver seat.

A Overall height of van with luggage rack	74.5"/1890 mm
B Overall height of van	73"/1850 mm
C Standard door opening height on ramp side (usable)	56"/1420 mm
D Interior height at center of van	60"/1520 mm
E Height at floor	10.5"/270 mm
F Ground clearance	5.5"/140 mm
G Interior height at passenger position	60"/1520 mm
H Interior floor length from back seat to behind driver's seat	56"/1420 mm
I Interior floor length passenger side	89"/2250 mm
J Overall interior floor width behind front seats	60"/1520 mm
K Side ramp width (usable)	29.5"/750 mm
L Side ramp length (usable)	54"/1370 mm
M Overall height of van with antenna	78"/1981 mm

Note: specifications are subject to OEM and other types of variations and may change without notice. Other option packages should be discussed with Savaria.

 **savaria**[®]
www.savaria.com
www.wheelchairvans.ca

Savaria Vehicle Group
 14 Goodmark Pl. Toronto ON M9W 6R1
 t 800.561.9600 f 905.799.5548

Groupe Véhicule Savaria
 4350 Highway 13 Laval QC H7R 6E9
 t 800.668.8705 f 800.361.1725